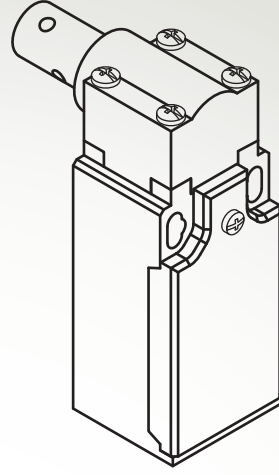


H I N G E M O U N T S A F E T Y L I M I T S W I T C H E S





## Crea il tuo codice INTERRUTTORI DI FINECORSA PER CERNIERE Create your HINGE MOUNT SAFETY LIMIT SWITCH code

Entrata cavi / Cable entry:  
SP/SM 1 foro, SDP/SDM 3 fori /  
SP/SM 1 hole, SDP/SDM 3 holes /

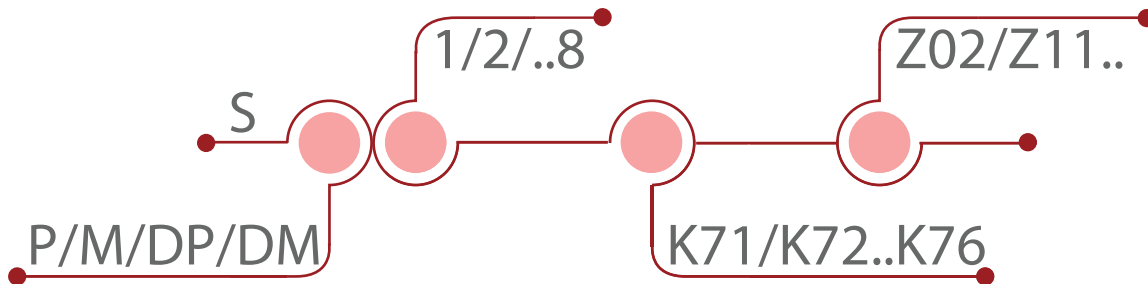
-1: PG13.5 Connettore M12/  
-2: 1/2 NPT M12 Connector  
-3: PG11 -6: 4 poli / 4 poles  
-4: M16x1.5 -7: 5 poli / 5 poles  
-5: M20x1.5 -8: 8 poli / 8 poles

Contatti a scatto / Snap action contacts:

-Z02: 2NC  
-Z11: 1NO+1NC

Contatti ad azione lenta / Slow action contacts :

-W02: 2NC  
-X11: 1NO+1NC  
-Y11: 1NO+1NC  
-X12P: 1NO+2NC  
-X21P: 2NO+1NC  
-W03P: 3NC



Corpo / Enclosure:

-SP: Corpo plastico 30mm / 30mm plastic body  
-SM: Corpo metallico 30mm / 30mm metal body  
-SDP: Corpo plastico 50mm / 50mm plastic body  
-SDM: Corpo metallico 50mm / 50mm metal body

Testina / Head:

-K71: Albero zincato / Zinc plated shaft  
-K72: Albero inox / Stainless shaft  
-K73: Albero inox 165mm / Stainless shaft 165mm  
-K74: Albero zincato 140mm / Zinc plated shaft 140mm  
-K75: Albero zincato 120mm / Zinc plated shaft 120mm  
-K76: Albero rastremato zincato 69mm / Tapered zinc plated shaft 69mm

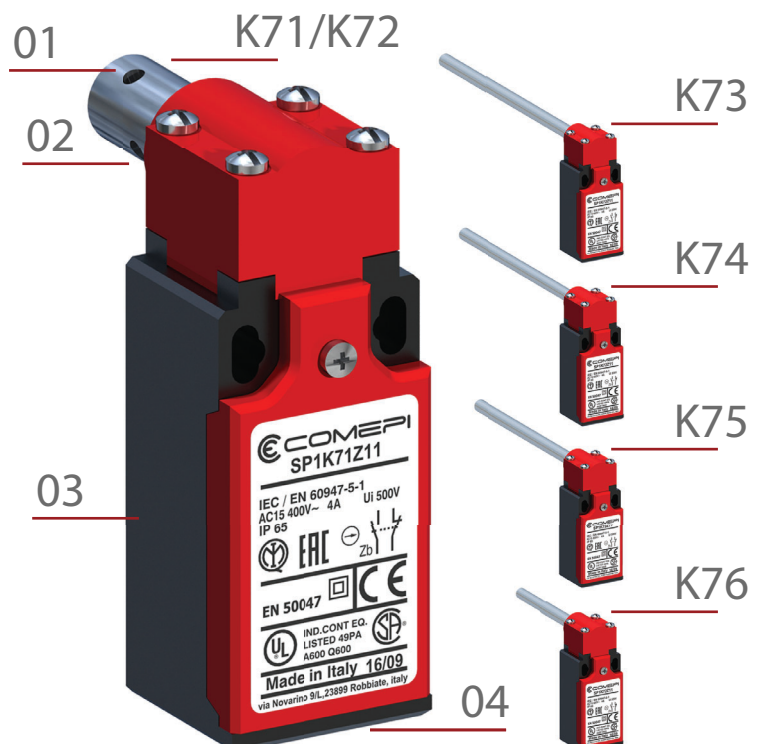
example: SP1K74Z11

\*\*\*La compatibilità di un codice non ne implica l'effettiva realizzabilità. Contattare il nostro ufficio vendite. /  
The feasibility of a code number does not mean the effective actuality of a product. Please contact our sales office.



### Com'è composto? How it is made?

- 01** Albero rotativo / Rotary shaft
- 02** Varie lunghezze e dimensioni / Various lengths and sizes
- 03** Varie configurazioni di contatti / Different contact configurations
- 04** Vasta gamma di corpi ed ingressi cavo / Wide range of bodies and cable entries



## Descrizione ed Applicazione / Description and Application

Questo fincorsa è ideale per il monitoraggio e la protezione di macchine industriali senza inerzia dotate di chiusura ad anta (porte, griglie incernierate, coperchi rotativi, etc..).

This limit switch is useful for monitoring and protecting industrial machines without inertia, equipped with swinging doors (doors, hinged grids, rotary covers etc..).

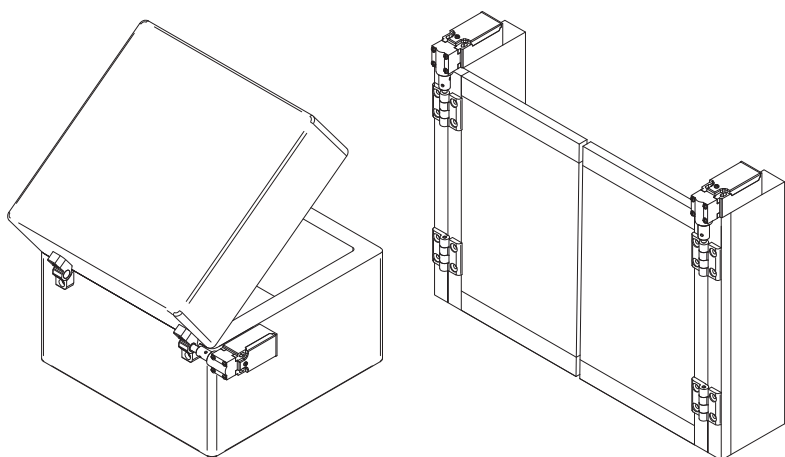
## Approvazioni / Approvals

CE - UL - CSA - CCC - EAC - IMQ

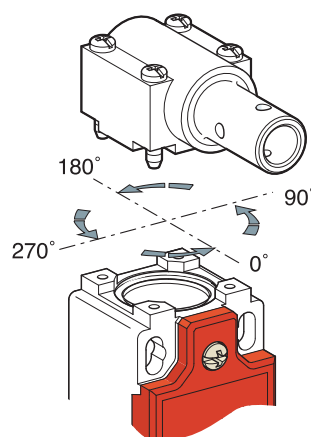
## Norme / Standards

IEC 600947-5-1, EN 60947-5-1,  
UNI EN ISO 14119

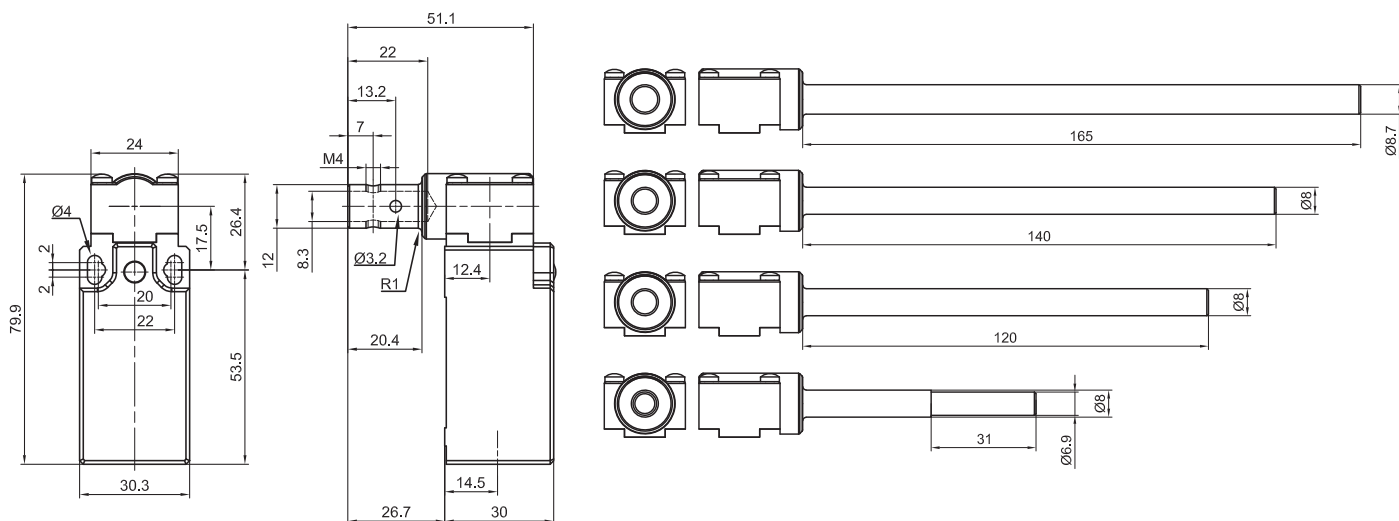
## Esempi di applicazione / Example of application



## Orientamento testina / Operating head orientation



## Dimensioni / Dimensions



### Albero femmina:

K71: Zincato  $\varnothing 8.3 \times 22 \text{mm}$

K72: Inox  $\varnothing 8.3 \times 22 \text{mm}$

### Albero maschio:

K73: Inox  $\varnothing 8.7 \times 165 \text{mm}$

K74: Zincato  $\varnothing 8 \times 140 \text{mm}$

K75: Zincato  $\varnothing 8 \times 120 \text{mm}$

K76: Zincato  $\varnothing 8 \times 69 \text{mm}$  rastemato  $\varnothing 6.9$

### Female shaft:

K71: Zinc plated  $\varnothing 8.3 \times 22 \text{mm}$

K72: Stainless  $\varnothing 8.3 \times 22 \text{mm}$

### Male shaft:

K73: Stainless  $\varnothing 8.7 \times 165 \text{mm}$

K74: Zinc plated  $\varnothing 8 \times 140 \text{mm}$

K75: Zinc plated  $\varnothing 8 \times 120 \text{mm}$

K76: Zinc plated  $\varnothing 8 \times 69 \text{mm}$  tapered  $\varnothing 6.9$



COMEPI SRL  
Via Novarino 9/L  
23899 Robbiate (LC) ITALY  
[www.comepi.it](http://www.comepi.it)  
[comepi@comepi.it](mailto:comepi@comepi.it)  
tel +39 039 9906408  
+39 039 9903468  
fax +39 039 9906203

